

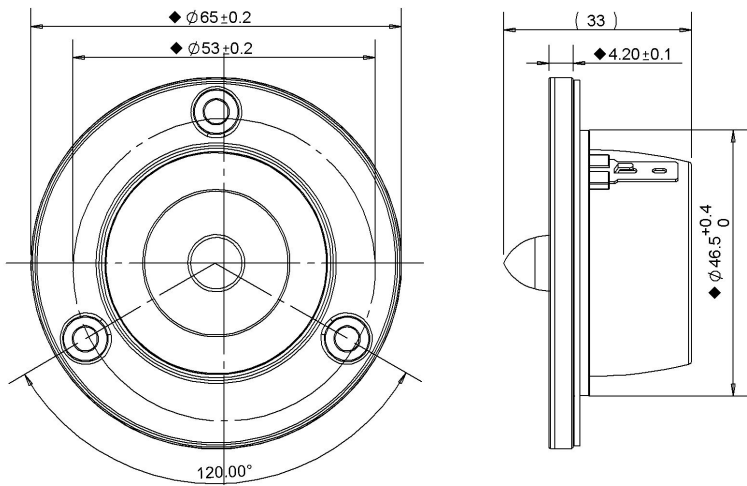
● Patented Ring Radiator Design

● Fabric Diaphragm

● Silk Surround

● Neodymium Motor

● Faceplate

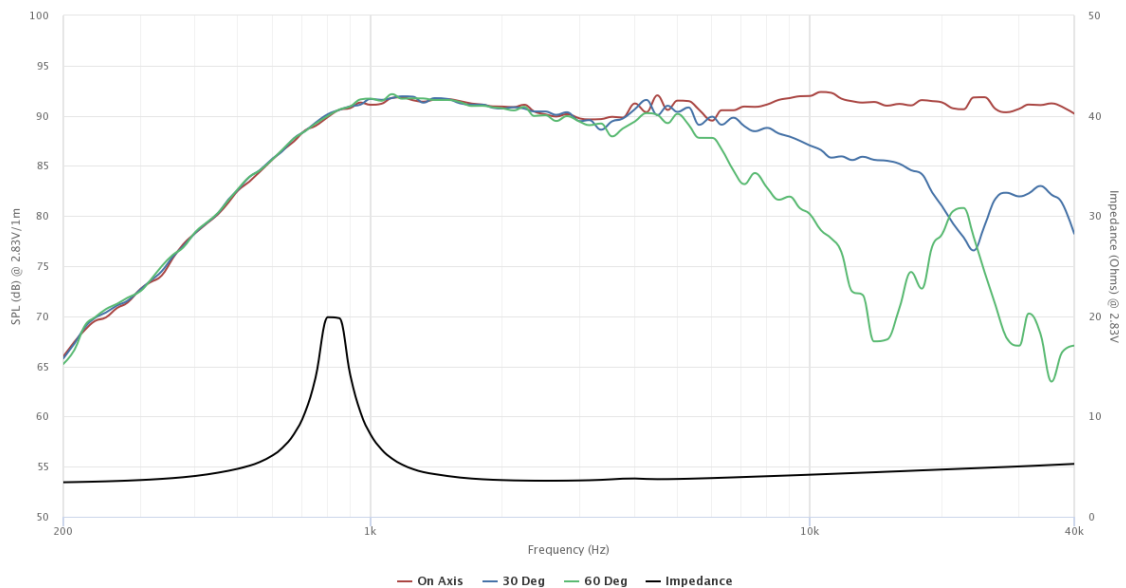


SPECIFICATIONS

| | | | |
|--|-------------------|----------|----|
| Transducer Size | 25 | mm | |
| Impedance | 4 | Ω | |
| Frequency Range ¹ | 2000 - 20000 | Hz | |
| Sensitivity ² (2.83V 1W @ 1m) | 90.2 87.2 | dB | |
| Power Rating (IEC 268-5) | 100 | W | |
| Voice Coil Size | 25.8 | mm | |
| Air Gap Winding Height | $H_{ag} H_{vc}$ | 2 2.4 | mm |
| Net Weight | 0.074 | kg | |

PARAMETERS ³

| | | | |
|----------------------------------|-----------|-------|------------------------|
| Eff. Piston Area | S_d | 7.07 | cm ² |
| DC Resistance | R_e | 3.2 | Ω |
| Minimum Impedance | Z_{min} | 3.6 | Ω |
| Inductance | L_e | 0.021 | mH |
| Resonance Frequency ⁴ | F_s | 830 | Hz |
| Mechanical Q Factor | Q_{ms} | 7.36 | - |
| Electrical Q Factor | Q_{es} | 1.17 | - |
| Total Q Factor | Q_{ts} | 1 | - |
| Moving Mass | M_{ms} | 0.359 | g |
| Compliance | C_{ms} | 100 | $\mu\text{m}/\text{N}$ |
| Equivalent Volume | V_{as} | 0.007 | L |
| Motor Force Factor | Bl | 2.27 | Tm |
| Motor Efficiency | β | 1.61 | $(Bl)^2 / R_e$ |
| Linear Excursion ⁵ | X_{max} | 0.867 | mm |



Highcharts.com

Details on this spec sheet are for reference only and should not be used for setting production limits. Specifications and product cosmetics are subject to change without notice. Peerless is a registered trademark of Tympany Enterprises. All measurements conducted in test lab at 25°C ±10°C, 50%RH ±10%. ¹ Specified by Engineering as linear working range of transducer. ² Measured at 2.83V at 1m and normalized to 1W with respect to nominal impedance. ³ Measured in Free Air without preconditioning, therefore subject to some deviation. ⁴ Impedance and F_s value measured under different conditions. ⁵ Equal/Overhung: $(H_{vc} - H_{ag})/2 + H_{ag}/3$. Underhung: $(H_{ag} - H_{vc})/2 + H_{vc}/3$. ⁶ Mechanically limited excursion (e.g. bottoming, spider crash).